

50/50 Split Bench Measurement Chart

Vehicle Make: _____ Model: _____ Year: _____

Seat Mounted Air Bags: Yes / No

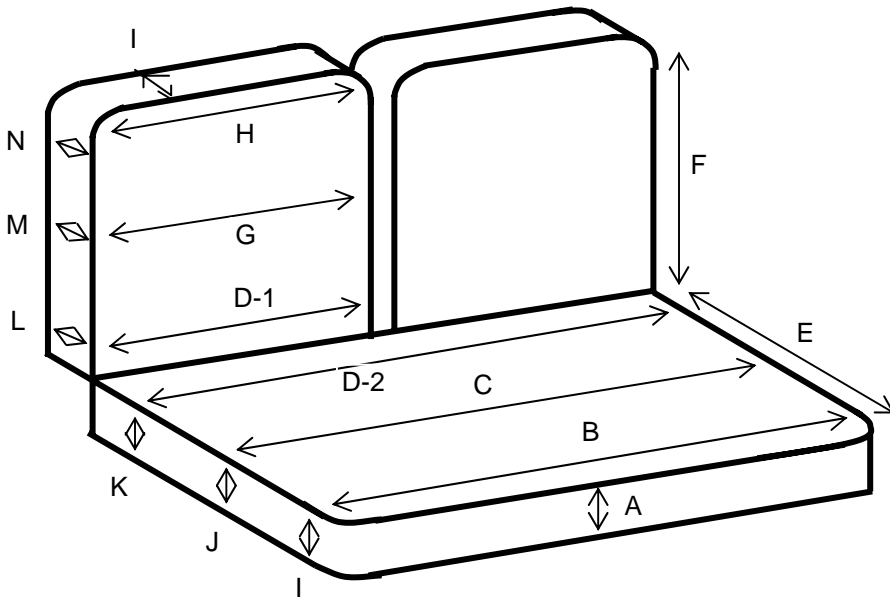
Electric Seats: Yes / No

Removeable Headrests: Yes / No

Center Arm Rest: Yes / No

Please Indicate Location of Seat Belt Cut Outs

(please indicate if there are armrests)



- A _____
- B _____
- C _____
- D _____
- E _____
- F _____
- G _____
- H _____
- I _____
- J _____
- K _____
- L _____
- M _____
- N _____