

Bucket Seat Measurement Chart

Vehicle Make: _____ Model: _____ Year: _____

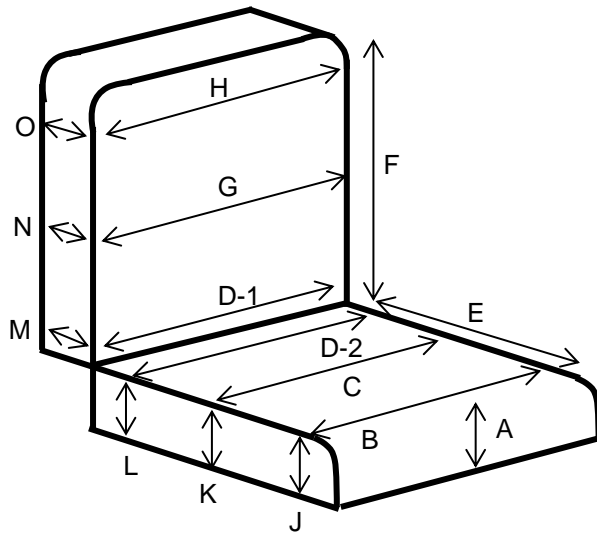
Seat Mounted Air Bags: Yes / No

Electric Seats: Yes / No

Removeable Headrests: Yes / No

Adjustable Headrests: Yes / No

Lowback Seat



(Please Indicate Which Seat Type)

- A _____
- B _____
- C _____
- D-1 _____
- D-2 _____
- E _____
- F _____
- G _____
- H _____
- I _____
- J _____
- K _____
- L _____
- M _____
- N _____
- O _____
- P _____

Bucket Seat Measurement Chart

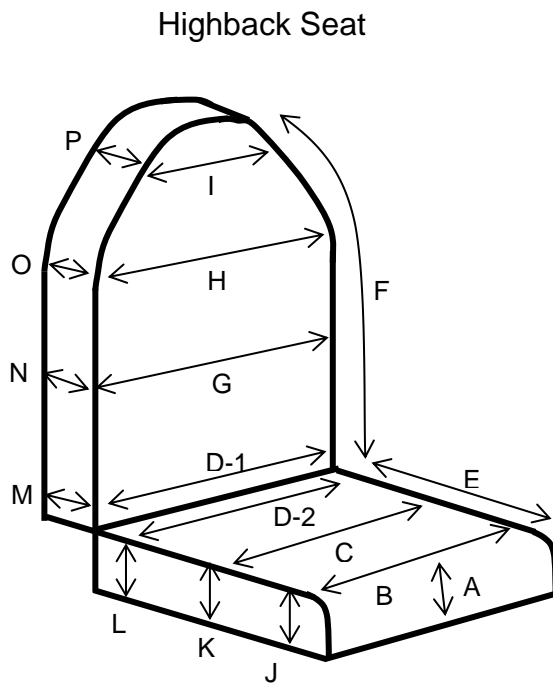
Vehicle Make: _____ Model: _____ Year: _____

Seat Mounted Air Bags: Yes / No

Electric Seats: Yes / No

Removeable Headrests: Yes / No

Adjustable Headrests: Yes / No



- A _____
- B _____
- C _____
- D-1 _____
- D-2 _____
- E _____
- F _____
- G _____
- H _____
- I _____
- J _____
- K _____
- L _____
- M _____
- N _____
- O _____
- P _____