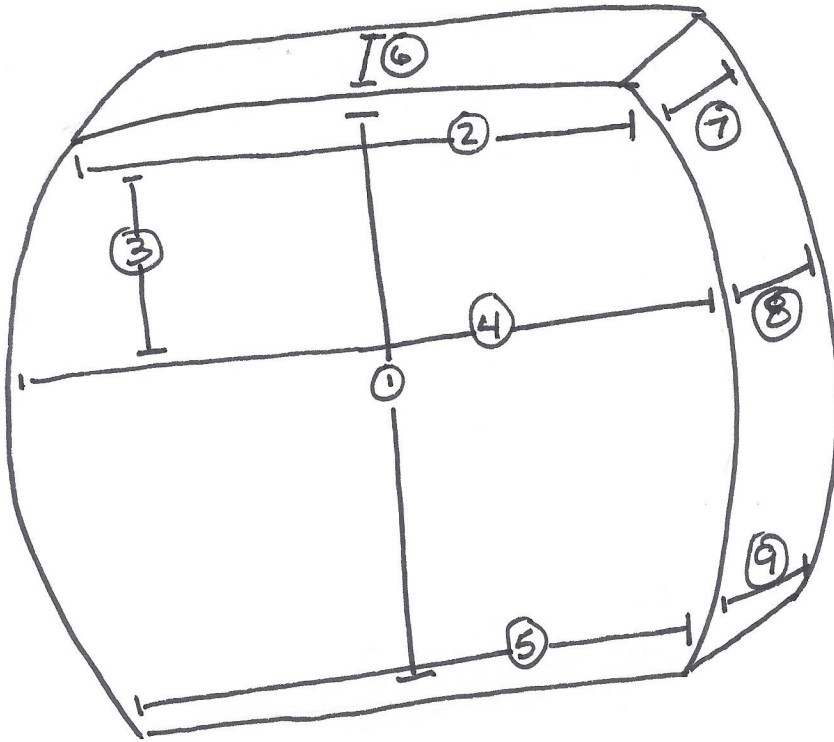
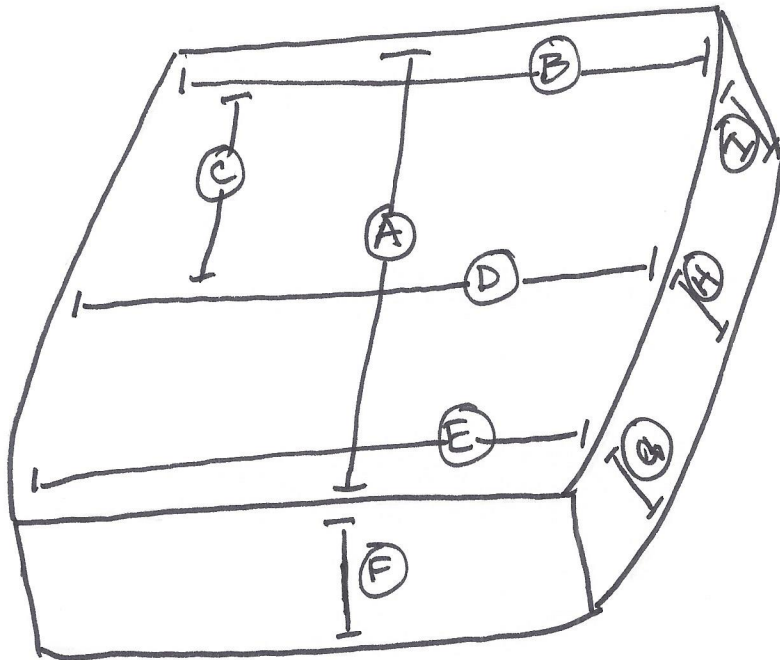


WHEEL CHAIR MEASUREMENT



1. _____
2. _____
3. _____
4. _____
5. _____
6. _____
7. _____
8. _____
9. _____



- A. _____
- B. _____
- C. _____
- D. _____
- E. _____
- F. _____
- G. _____
- H. _____
- I. _____

3 & C ARE THE MEASUREMENT TO THE BACKREST ; SEATS WIDEST POINT.